



## UNIVERSAL PROCESS LOOP CONTROLLER DE-1500 SERIES

- Universal two-loop controller designed to control and monitor engines, compressors, or industrial processes
- Offers a cost-effective alternative to pneumatic controllers and expensive competitive electronic controls
- 2 independent PID loops and 8 digital outputs available for control functions
- Directly accepts digital and analog inputs (thermocouple or 0-5VDC transducers)
- Operating, setup, and fault data shown on alphanumeric display
- ModBus RTU communications standard
- Easily configurable via included Windows™-based terminal program
- Designed and constructed for service in harsh environments
- CSA certified for use in Class I, Division 2, Groups C and D hazardous areas

The Altronic DE-1500 Universal Process Loop Controller is designed for use in the control of virtually any engine, compressor, or industrial process. Using both digital and analog inputs for parameters such as speed, temperature, and pressure, this completely user-configurable control can utilize one or both of its independent PID outputs to dynamically adjust a process (or processes) to maintain a specified setpoint.

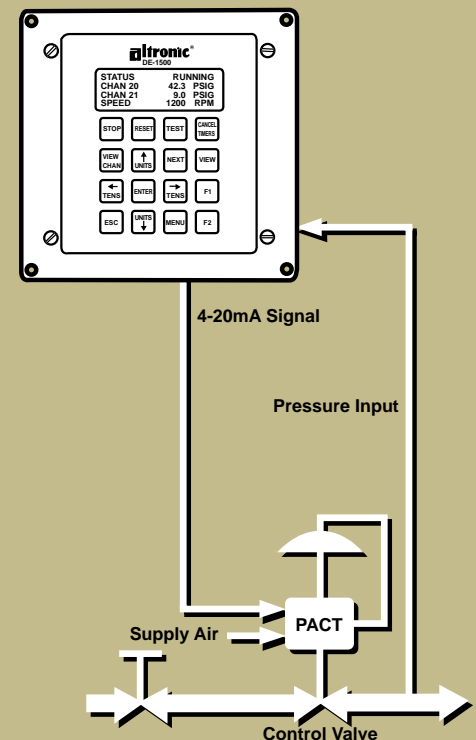
Among the many suitable applications for the DE-1500 is its use as a suction controller for compressors in gas production or processing service. Continuously monitoring the compressor suction pressure, the DE-1500 can be configured to throttle the gas pressure control valve either directly or via an interposing I/P converter (see diagram to right). In a similar fashion, critical temperatures could also be monitored and maintained through the use of an input thermocouple or temperature transducer and one of the DE-1500 PID outputs controlling a compressor fin-fan or other cooling device. The DE-1500 can also send a speed setpoint to a suitable governor or control device (such as the GOV10) for RPM control of the compressor prime mover (engine or electric motor).

For operators seeking independent control and safety shutdown protection, the DE-1500 can be easily combined with other Altronic products, including the DD-40NTS digital annunciator. To facilitate integration with supervisory monitoring and control systems, the DE-1500 fully supports the ModBus RTU communications protocol. A full-featured PC-based monitoring and control software package is also included with each DE-1500 system.

The DE-1500 system is certified for use in Class I, Division 2, Groups C and D hazardous areas by the Canadian Standards Association.

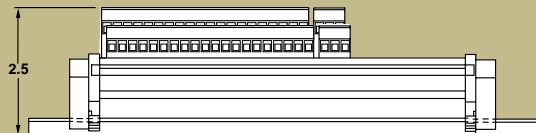
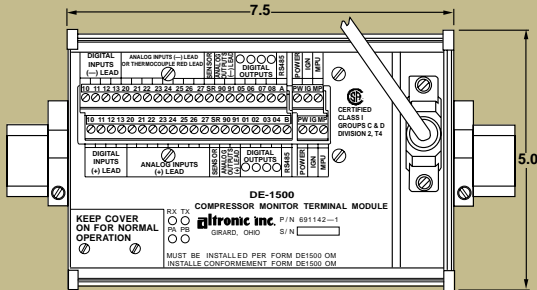
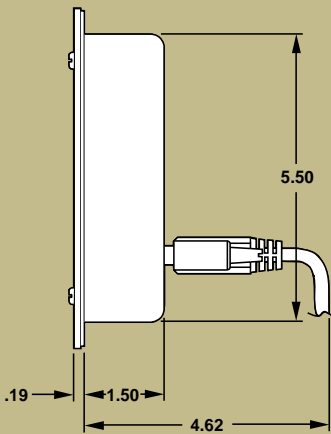
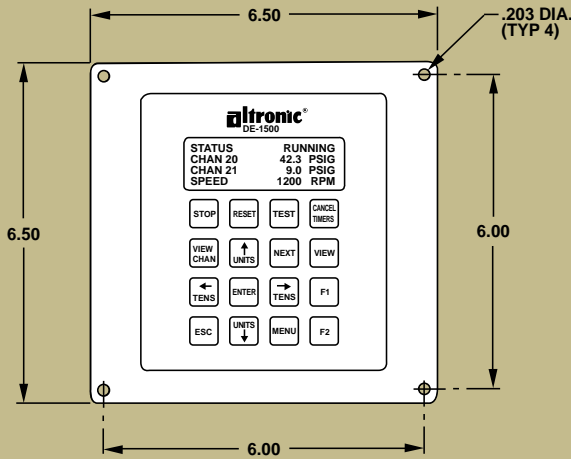


### DE-1500 RETROFIT OF EXISTING PNEUMATIC PRESSURE CONTROLLER



CERTIFIED  
Class I, Division 2,  
Groups C and D

## DIMENSIONS



## TO ORDER

DISPLAY MODULE .....	DE-1500
TERMINAL MODULE .....	691142-1
<b>CABLE ASSEMBLIES</b>	
Display Module to Terminal Module (DB-25) .....	693115-1
Display Module RS-232 Port (DB-9) .....	693116-1

## AVAILABLE ALTRONIC TRANSDUCERS AND CABLES

### PRESSURE TRANSDUCERS

0-50 psia .....	691204-50
0-100 psia .....	691204-100
0-300 psia .....	691204-300
0-500 psia .....	691204-500
0-100 psi/0-680 Kpa .....	691201-100
0-300 psi/0-2040 Kpa .....	691201-300
0-500 psi/0-3400 Kpa .....	691201-500
0-1000 psi/0-6800 Kpa .....	691201-1000
0-2000 psi/0-136 bar .....	691201-2000
0-5000 psi/0-340 bar .....	691201-5000

### TEMPERATURE TRANSDUCERS

Range: +5° F. to 350° F./-15° C. to 176° C. ( $\pm 3^\circ F/\pm 2^\circ C$ )	
1.75" length .....	691202-300
5.75" length .....	691203-300
Range: -40° F. to 450° F./-40° C. to 232° C. ( $\pm 6^\circ F/\pm 4^\circ C$ )	
1.75" length .....	691212-450
5.75" length .....	691213-450

### TRANSDUCER CABLES

5 ft. length .....	693008-5
25 ft. length .....	693008-25
50 ft. length .....	693008-50

**altronic<sup>®</sup>**  
**inc.**

712 TRUMBULL AVE / GIRARD, OH 44420  
(330) 545-9768 / Fax: (330) 545-9005  
www.altronicinc.com E-mail: sales@altronicinc.com

FORM DE-1500 10-03 ©2003 Altronic, Inc.