

**ALTRONIC I
HORIZONTAL ENGINES, 1-2 CYLINDERS**

**SHIELDED SYSTEM
FORM AI-S 4-94**

SHIELDED SYSTEM FOR 1 AND 2-CYL. HORIZONTAL ENGINES

- A) SHIELDED KIT - Kit listed applies to an Ajax or other similar sized one and two cylinder engine. The kits provide the material to convert an engine already equipped with an unshielded Altronic I ignition system.
- B) CSA CERTIFIED SYSTEM - The components furnished constitute a CSA Certified system suitable for Class I, Group D, Division 2 locations. Required, but NOT furnished in the kit, are a junction box, outlet box(es) and solid or flexible conduit (see diagram on back side).

APPLICATIONS

ENGINE TYPE	SPARK PLUGS PER CYL.	KIT WITH SHIELDED COIL	KIT WITH INTEGRAL COIL	NOTES
1-Cylinder	1	G3-X-1S	G3-X-1N	1
1-Cylinder	2	G3-D-1S	G3-D-1N	1
2-Cylinder	1	G3-U-2S	G3-U-2N	2
2-Cylinder	2	G3-D-2S	G3-D-2N	2

NOTES:

- 1 - If engine does not have existing Altronic I unshielded system, order kit shown plus one 101 076 magnet bar and 110 033 bracket.
- 2 - If engine does not have existing Altronic I unshielded system, order kit shown plus two pieces 101 076 magnet bar and one 110 038 bracket.

KIT PARTS LIST

PART NO.	DESCRIPTION	G3-X-1	G3-D-1	G3-U-2	G3-D-2
190 023	Altronic I Unit	1	1	1	1
191 004-S	Pick-up Coil	1	1	2	2
510 484	Hardware Pkg. G	1	1	1	1
593 022-42	Pick-up Coil Cable	1	-	-	-
593 022-60	Pick-up Coil Cable	-	1	-	-
593 022-72	Pick-up Coil Cable	-	-	2	2
593 024-18	Altronic I Unit Cable	1	1	1	1
593 026-18	Altronic I Unit Cable	1	1	1	1
593 029-15	Primary Cable	1	1	2	2
593 029-30	Primary Cable	-	1	-	2

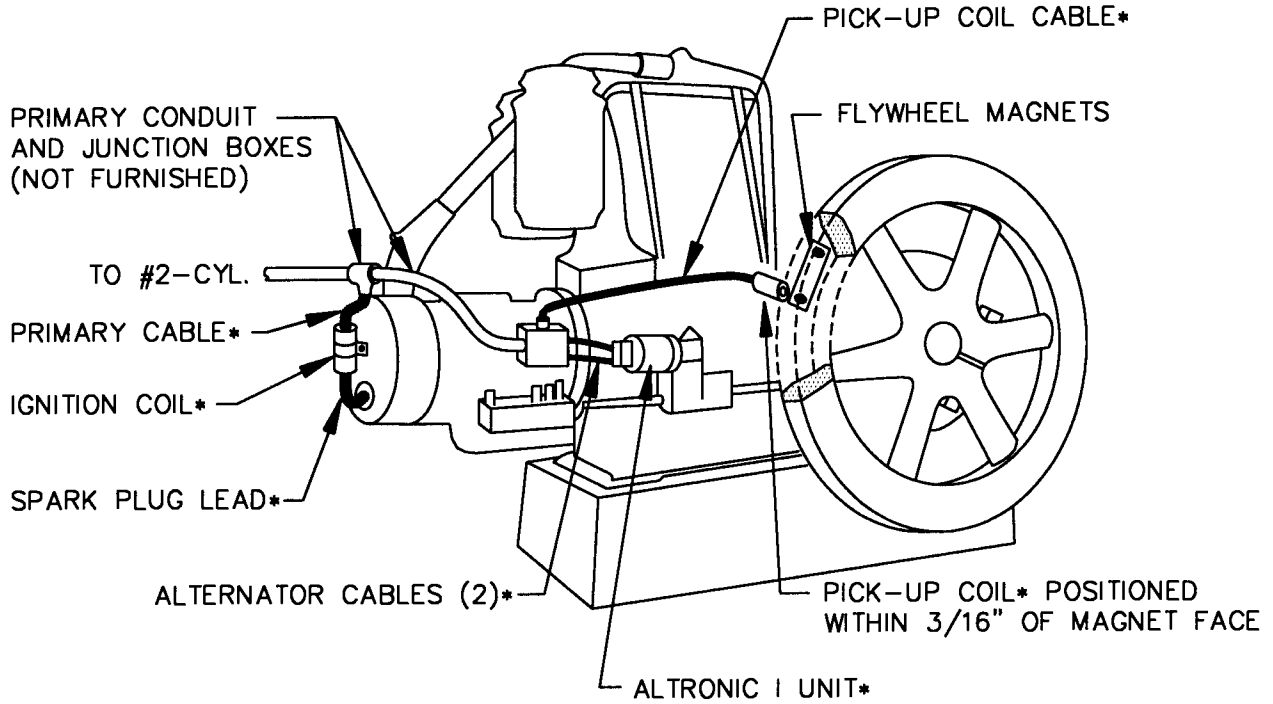
KITS WITH SHIELDED COIL (SUFFIX S)

501 061-S	Shielded Coil	1	2	2	4
593 020-13	Spark Plug Lead	1	2	2	4

KITS WITH INTEGRAL COIL (SUFFIX N)

591 007	Integral Coil	1	2	2	4
---------	---------------	---	---	---	---

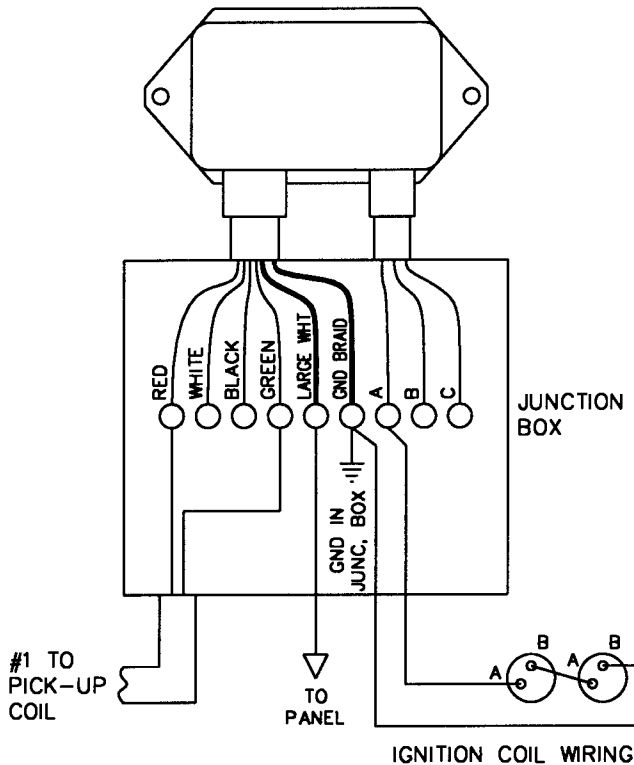
GENERAL LAYOUT – SHIELDED ALTRONIC I



TORQUE ALL CONNECTIONS TO APPROX. 5 FT.-LBS.

* INDICATES PART FURNISHED IN KIT.

WIRING DIAGRAM 1—CYLINDER 2 COILS/CYL. SHOWN



WIRING DIAGRAM 2—CYLINDER 2 COILS/CYL. SHOWN

