

**ALTRONIC, INC.
712 TRUMBULL AVE.
GIRARD, OHIO 44420**

CONTENTS

IGNITION COILS:

10-57460	Obsolete
10-320790-1	Obsolete
10-372360	Obsolete
10-382030-1	Unshielded Coil
10-382040-1	Shielded Coil
10-382060-1	Obsolete
10-382080	Can Coil
10-383080-1	Can Coil Assembly
10-383080-6	Can Coil Assembly
10-383080-7	Can Coil Assembly
10-383080-8	Can Coil Assembly
10-383080-9	Can Coil Assembly
10-383080-10	Can Coil Assembly
10-383080-13	Can Coil Assembly
10-383080-100	Can Coil Assembly

COIL KITS:

10-100201	Sec. Termination Kit, 10-382040-1
10-100202	Sec. Termination Kit, 10-382080

COUPLINGS:

10-3147	Hub, 5/8" shaft
10-3148	Hub, 3/4" shaft
10-4059	Hub, 7/8" shaft
10-3146Z	Coupling, Engine
10-391408	Coupling, Engine
10-3723	Coupling, Magneto
10-349725	Coupling, Magneto
10-349790-2	Coupling, Magneto
10-349790-3	Coupling, Magneto
10-391409	Coupling, Magneto
10-163294	Disc
10-3575Z	Disc
10-8459	Disc

SECTION 1 - BDX IGNITION COILS

1.1 COIL STATUS: The chart below summarizes the description and availability of certain coils formerly manufactured by Precision Engine Controls Corp and/or Bendix.

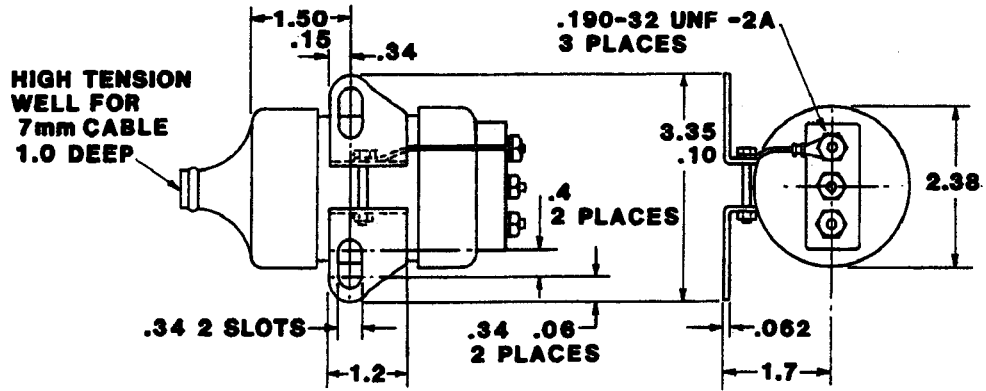
A. DISCONTINUED COILS

PART NO.	COIL DESCRIPTION	ORDERING INFORMATION
10-57460-x	Can	Replaced by 10-382080-x
10-320790-1	Shielded	Replaced by 10-382040-1
10-372360-x	Can	Replaced by 10-382080-x
10-382060-1	Integral 1"-20 thread	Use Altronic coil 591008 with Altronic primary lead series 593022, 593027

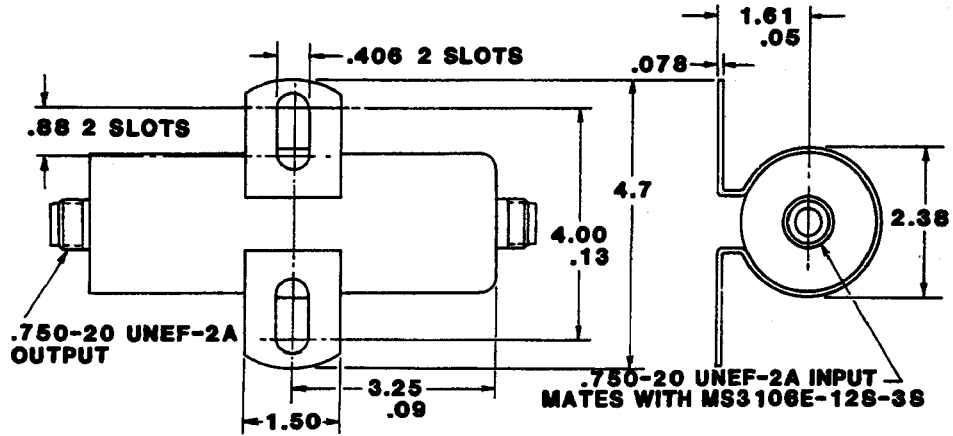
B. ACTIVE COILS

PART NO.	COIL DESCRIPTION	ORDERING INFORMATION
10-382030-1	Unshielded Primary: 4.1-5.0 ohms Secondary: 15,300-18,700 ohms	Current production coil
10-382040-1	Shielded Primary: 4.1-5.0 ohms Secondary: 15,300-18,700 ohms	Current production coil
10-382080	Can Primary: 0.9-1.2 ohms Secondary: 5,600-8,000 ohms	Current production coil

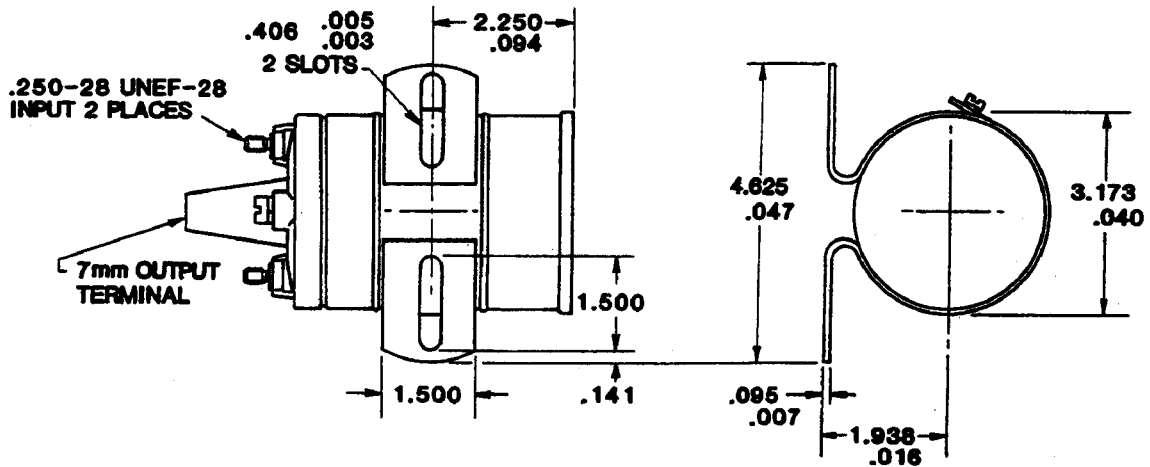
10-382030-1



10-382040-1



10-382080

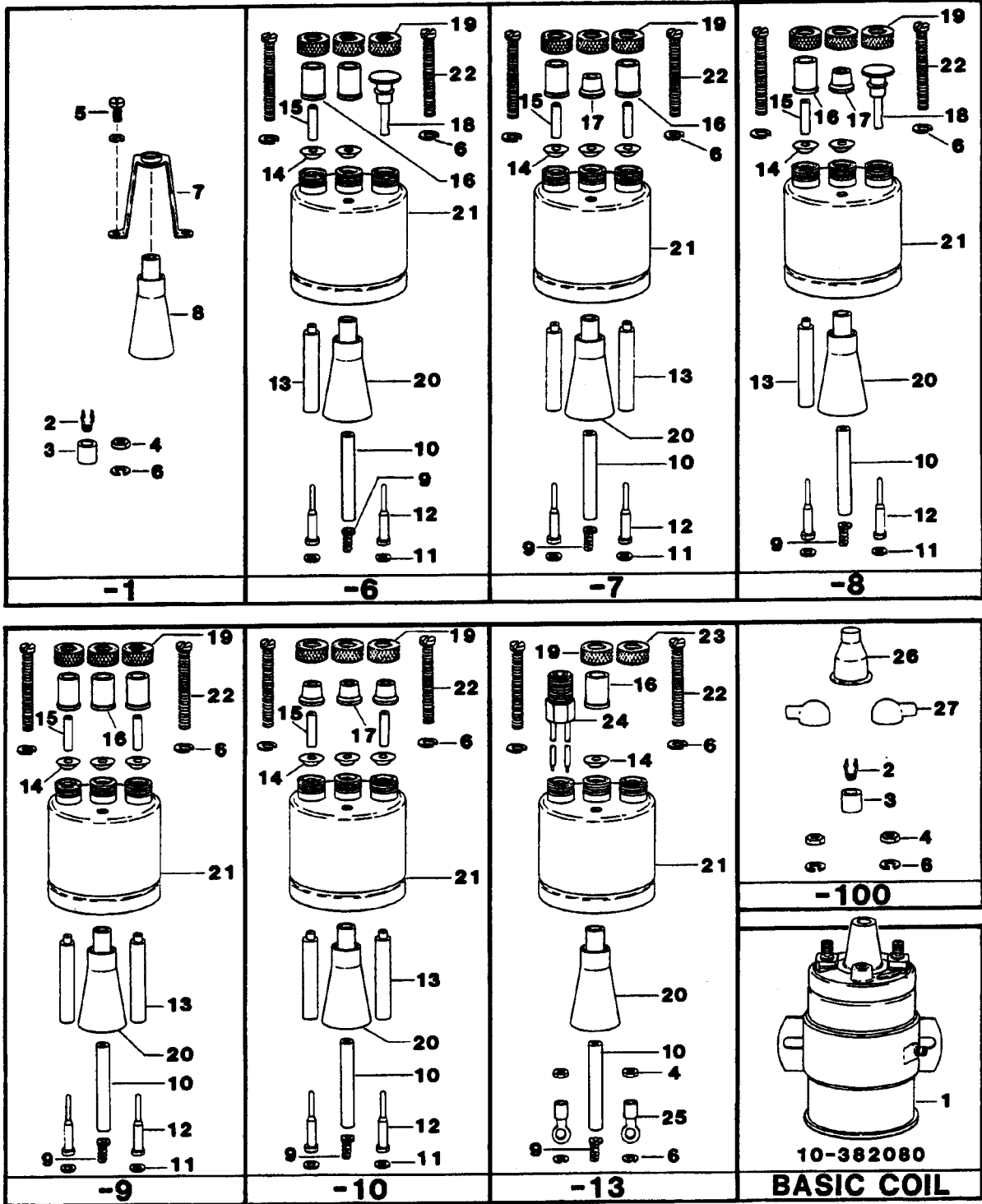


1.2 COIL ASSEMBLIES 10-382080-x: The chart below details the various assemblies that can be configured for the 10-382080 coil.

PART NO.	COIL DESCRIPTION	ORDERING INFORMATION
10-382080-1	Can Coil Assembly Sec. tower and hardware for unshielded connections	Order 10-382080 + 10-372738
10-382080-6	Can Coil Assembly Shielded secondary, one shielded and one grounded primary	Order 10-382080 + 10-372734*
10-382080-7	Can Coil Assembly Unshielded secondary, shielded primaries	Order 10-382080 + 10-372734*
10-382080-8	Can Coil Assembly Unshielded secondary, one shielded and one grounded primary	Order 10-382080 + 10-372734*
10-382080-9	Can Coil Assembly Shielded secondary and primaries	Order 10-382080 + 10-372734*
10-382080-10	Can Coil Assembly Unshielded secondary and primaries	Order 10-382080 + 10-372734*
10-382080-13	Can Coil Assembly Shielded secondary, connector for primary	Order 10-382080 + 10-85285-13
10-382080-100	Can Coil Assembly Boots, hardware for unshielded connections	Order 10-382080 + 10-85285-100

* NOTE: Kit 10-372734 is a universal kit covering any combination of unshielded and shielded, primary and secondary connections. The chart of section 1.3 shows the particular components used for configurations -6, -7, -8, -9 and -10.

10-382080-x COIL ASSEMBLIES



1.3 COIL KITS: See the figure titled 10-382080-x COIL ASSEMBLIES on the preceding page. The chart below gives the content required for the various configurations.

COIL KIT CODES: A = 10-372738, B = 10-372734, C = 10-85285-13, D = 10-85285-100

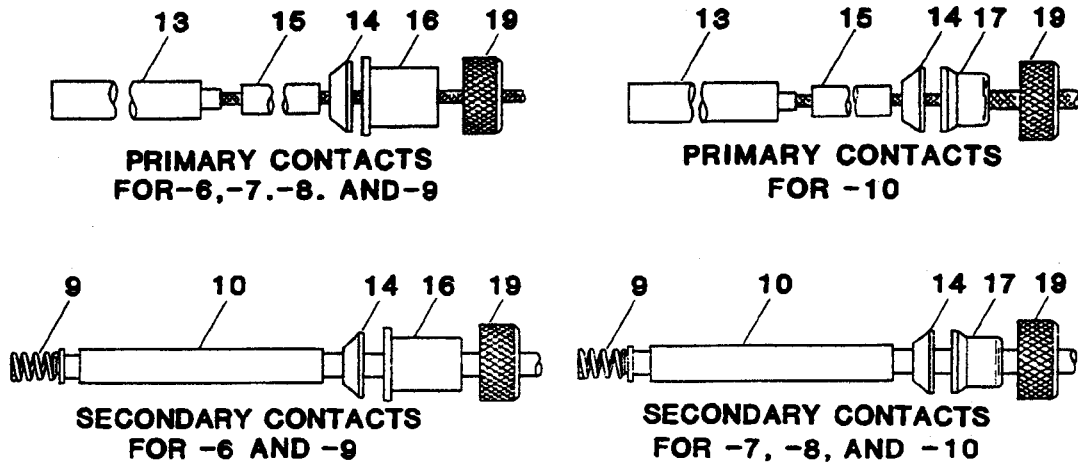
REF.	DESCRIPTION	PART NO.	QUANTITY FOR LISTED CONFIGURATION							
			A	B	B	B	B	B	C	D
--	Coil Kit Code	See Above	A	B	B	B	B	B	C	D
Pg. 5	Coil Assembly	10-382080	-1	-6	-7	-8	-9	-10	-13	-100
1	Coil, basic	10-382080	For illustration only - not part of coil kits.							
2	Clip contact	10-12360	1							1
3	Bushing	10-85234	1							1
4	Nut	10-92873-252	2						2	2
5	Screw	10-91694-78	2							
6	Lockwasher	10-92879-44	4	2	2	2	2	2	4	2
7	Strap	10-372618	1							
8	Insulator	10-372623	1							
9+10	Contact ass'y.	10-100002*		1	1	1	1	1	1	
11	Washer	10-21895		2	2	2	2	2		
12	Pin contact	10-85222		2	2	2	2	2		
13	Terminal	10-102099		1	2	1	2	2		
14	Gland	10-59445		2	2	1	3		1	
15	Sleeving	10-342149		1	2	1	2	2		
16	Ferrule	10-13895		2	2	1	3		1	
17+14	Collar	10-100001**			1	1		3		
18	Ground contact	10-85242		1		1				
19	Nut	10-14047		3	3	3	3	3	1	
20	Insulator	10-372609		1	1	1	1	1	1	
21	Coil cover	10-372613***		1	1	1	1	1	1	
22	Screw	10-91452-40		2	2	2	2	2	2	
23	Cap	10-3982							1	
24	Cable assembly	10-372739							1	
25	Terminal	10-272740							2	
26	Boot,	10-372514								1
27	Boot, primary	10-89424								2

* Replaces former parts 10-70380 and 10-85227.

** Replaces former parts 10-9993 and 10-59445.

*** Cover kit 10-100203 includes qty. (1) item 21, qty. (2) item 6, qty. (2) item 22.

1.4 ASSEMBLY OF LEADS FOR 10-382080-x COILS: Refer to the chart of section 1.3. The diagrams below illustrate the assembly order for the primary and secondary leads for coils 10-382080-6, -7, -8, -9, -10.



1.5 LEADS FOR BDX COILS: The chart below lists available options for connecting to various BDX coils.

ITEM	COIL APPLICATION	PART NO.
Shielded primary cable assemblies	10-320790-1 10-382040-1 10-382060-1	BG type LTx2xxx-xx *
	10-382080-13	BG type LTx3xxx-xx *
Termination kit for unshielded spark plug leads	10-320790-1 10-382040-1	10-100201
	10-57460-6,-7,-8,-9,-10,-13 10-372360-6,-7,-8,-9,-10,-13 10-382080-6,-7,-8,-9,-10,-13	10-100202
	All types	Contact BG *
Shielded secondary leads	10-320790-1 10-382040-1	BG type HTx1xx-xx *
	10-57460-6,-7,-8,-9,-10,-13 10-372360-6,-7,-8,-9,-10,-13 10-382080-6,-7,-8,-9,-10,-13	BG type HTx2xx-xx *

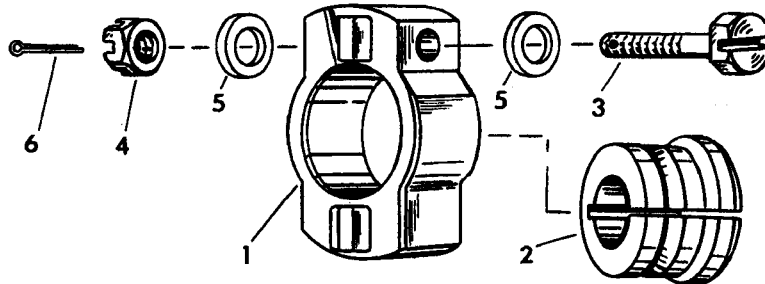
* Contact BG Service Co., Inc.; 1400 Alabama Ave.; West Palm Beach, FL; 561-659-1471.

SECTION 2 - DRIVE COUPLING COMPONENTS

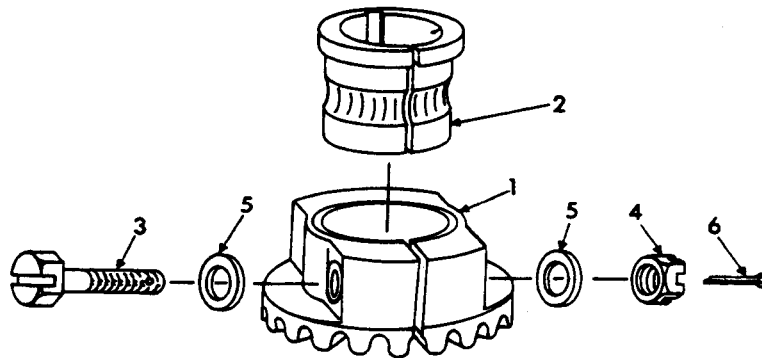
2.1 ENGINE DRIVE COUPLING PARTS: The chart below lists the various parts for the available engine drive couplings.

REF. NO.	DESCRIPTION	PART NO.	QTY.
1-A	Coupling, lug type	10-3146Z	1
1-B	Coupling, tooth type	10-391408	1
2	Hub, 0.625" bore x 5/32" key Hub, 0.750" bore x 5/32" key Hub, 0.875" bore x 5/32" key	10-3147 10-3148 10-4059	1
3	Screw	10-3149Z	1
4	Nut	10-3151Z	1
5	Washer	10-3253	2
6	Pin, 0.078" dia.x 0.750" lg.	2-393	1

A. LUG-TYPE COUPLING

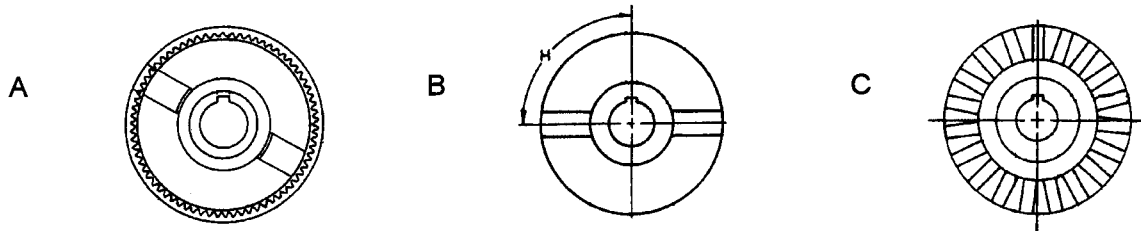


B. TOOTH-TYPE COUPLING



2.2 MAGNETO DRIVE COUPLING PARTS: The charts below lists the available magneto drive couplings.

REF.	DESCRIPTION	PART NO.	BORE	KEY
A	Coupling, lug type, adjustable	10-349725	.591" w/1:5 taper	1/8"
B	Coupling, lug type, fixed, H=90° Coupling, lug type, fixed, H=110° Coupling, lug type, fixed, H=0°	10-3723 10-349790-2 10-349790-3	.591" w/1:5 taper	1/8"
C	Coupling, tooth type	10-391409	.566" w/1:5 taper	1/8"



2.3 DRIVE DISCS: The charts below lists the available magneto drive discs.

REF.	DESCRIPTION	PART NO.	THICKNESS	SLOT DEPTH*
D	Disc, lug type	10-163294 10-3575Z	0.375" 0.531"	0.266" 0.219"
E	Disc, tooth type	10-8459	0.656"	---

* Magneto end.

