

DPYH-1300U SERIES DIGITAL ALARM TEMPERATURE GAUGES

- 2- and 9-point models
- Solid state design
- Universal features:
 - Power from C.D. ignition or 12-48 Vdc
 - Selectable degrees C or F readout
 - Solid-state N.O. and N.C. limit switches
- Temperature limit set from front using the display readout
- Industry standard 4-1/2" round weather-resistant case

DPYH-1392U models monitor 2 points with a high-limit setpoint for each channel; output switches are included for both N.O. and N.C. operation.

- * Engine water and oil temperatures
- * Compressor process gas temperatures
- * Turbocharger inlet/outlet temperatures
- * Catalytic converter inlet/outlet temperatures

DPYH-1379U monitors 9 points with point 0 protected by the first high setpoint and points 1-8 protected by the second common high limit setpoint.

- * Cylinder exhaust and turbo inlet/outlet temperatures

The Altronic DPYH-1300U series temperature gauges are solid-state instruments which provide a continuous temperature readout and have an alarm/shutdown capability at user-adjusted temperature limits. Power is from a C.D. ignition system or 12-24 Vdc. The readout is selectable for degrees C. or F. The devices can be used with industry standard type J or type K thermocouple probes. The solid-state output limit switches can be used with Altronic annunciators/controllers or other specified devices (such as solenoids, or conventional relays) operated from DC current.

The display indicates the channel and temperature; a momentary push of the designated button changes the readout to the next channel. The setpoint limit values can be read on the display and adjusted until the display readout matches the desired temperature. The 4-1/2" round, weather-resistant case fits an industry-standard panel cutout allowing easy replacement of analog/mechanical devices.



Specifications

| | |
|-------------------------------------|---|
| Power Requirement | C.D. ignition (110V min.) or 12-48 Vdc |
| Hazardous Area Classification | Class I, Div. 2, Group D See "To Order" for Class I, Div. 1, Group D |
| Instrument Display | 5-digit LCD, 0.4" height |
| Display Readout | Degrees C. or F. (user selectable) |
| Instrument Range: | |
| DPYH-1392U | 40°F. to 1500°F. / 5°C. to 815°C. |
| DPYH-1379U (Type J T.C.) | -76°F. to 1382°F. / -60°C. to 750°C. |
| DPYH-1379U (Type K T.C.) | -76°F. to 1472°F. / -60°C. to 800°C. |
| Instrument Accuracy | ±1% of reading, ±3 degrees |
| Display Update Rate | |
| DPYH-1392U | 3 times per second |
| DPYH-1379U | 2 times per second |
| Setpoint Switch Rating | |
| DPYH-1392U | N.O. 400 Vdc, 0.1 amp / N.C. 48Vdc, 0.5 amp |
| DPYH-1379U | N.O. 400 Vdc, 0.2 amp |
| Ambient Temperature Rating | -40°F. to +175°F. / -40°C. to +80°C. |
| Thermocouple Type | |
| DPYH-1392U | Type J or K (specify when ordering) |
| DPYH-1379U | Type J or K (user selectable) |
| Cold Junction Compensation | Automatic |

To Order

| | |
|--|----------------|
| 2-Points with individual alarm setpoints: | |
| Type J Thermocouple | DPYH-1392U-J * |
| Type K Thermocouple | DPYH-1392U-K * |
| 9-Points with 2 alarm setpoints: | |
| Type J or K Thermocouple | DPYH-1379U |
| * These gauges replace former models DPYH-1301U-J and -K respectively. | |

CLASS I, DIVISION 1, GROUP D HAZARDOUS AREA APPLICATION

Intrinsically Safe Operation:

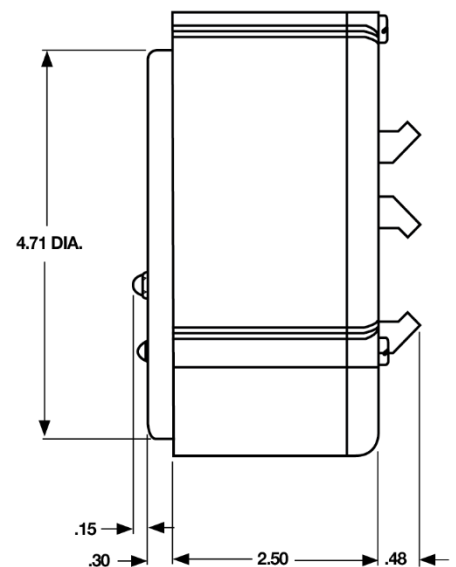
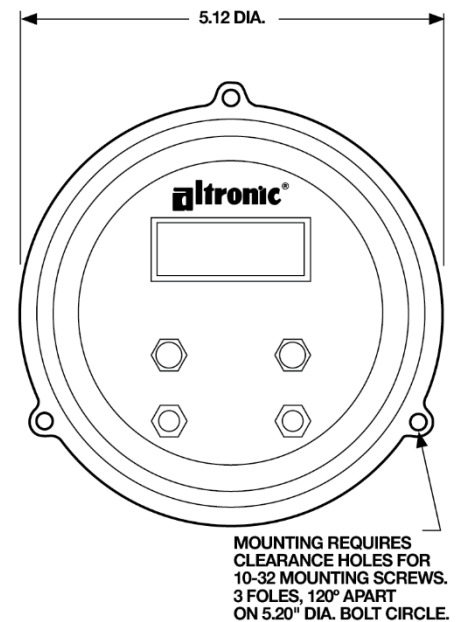
Ignition-powered, use Altronic Barrier and Cable listed below.

| | |
|--------------------------------|----------|
| Negative Ground Ignition | 690107 |
| Positive Ground Ignition | 690108 |
| Cable Assembly | 693106-1 |

DC-powered: Use CSA certified barrier rated 30V. max, 120V. max.

Class I, Group D Enclosure

Dimensions



ALTRONIC

A Member of the HOERBIGER Group

712 Trumbull Avenue / Girard, Ohio 44420
(330) 545-9768 / Fax: (330) 545-3231
www.altronic-llc.com / Email: sales@altronic-llc.com

Form DPYH1300U 8-22 ©2022 Altronic, LLC