

DSM-43924DUS

UNIVERSAL TEMPERATURE MONITOR

- Universal 24-point model
- Individual setpoint for each channel
- Microprocessor-based
- Universal features:
 - 4 setpoints for each channel individually
 - 2 temperature groups with 2 high, 2 low and 2 differential setpoints per group
 - Bargraph display of proximity to setpoint
 - 2 solid-state N.O./N.C. output switches
 - Modbus RTU, RS-485 serial communications
- 12-30 Vdc powered
- Rugged, anodized aluminum case

TYPICAL APPLICATIONS:

- * Engine cylinder exhaust temperatures
- * Compressor process gas temperatures
- * Engine/compressor water and oil temperatures
- * Turbocharger inlet/outlet temperatures
- * Catalytic converter inlet/outlet temperatures
- * Critical temperatures on any type of machinery

The Altronic DSM-43924DUS temperature monitor is a universal microprocessor-based instrument designed to monitor engine, process and other critical temperatures using industry-standard type J or K thermocouple probes. The device can be set for readout in either degrees C. or F. and is powered from any 12- or 24-volt source capable of supplying 10 watts. Modbus RTU communications is standard with baud rates selectable at 9,600 - 19,200 - 38,400 - 57,600.

The DSM-43924DUS has four individual setpoints (two high, two low) per channel. The monitored points can also be established in two groups of a user-selectable number of points having six common group setpoints (two high, two low and two differential). This feature can be used, for example, to monitor functions such as engine cylinder exhaust and compressor cylinder temperatures. Two output switches are provided allowing the device to be used in an alarm/shutdown configuration. Fault information in order of occurrence is available on the display and via the serial port.

The front panel sealed membrane keypad provides easy selection and adjustment of the units, range, setpoints and other configuration data. The DSM-43924DUS is housed in a gasketed, anodized aluminum case, making it ideal for oilfield and other demanding-environment applications.



Specifications

Power Requirement	12-30 Vdc, 100 mA max.
Hazardous Area Classification	Class I, Div. 2, Group C & D
Instrument Display	2x16 backlit, alphanumeric LCD
Display Readout	Degrees C. or F. (user selectable)
Instrument Range	-76°F. to 1472°F. / -60°C. to 800°C.
Instrument Accuracy	±1% of reading, ±3 degrees
Display Update Rate	2 seconds nominal
Setpoint Switch Rating	200 Vdc, 0.2 amp continuous (2 solid state, N.O./N.C.)
Ambient Temperature Rating	-40°F. to +175°F. / -40°C. to +80°C.
Thermocouple Type	Type J or K (user selectable)
Cold Junction Compensation	Automatic

To Order

Temperature Monitor 24-Points DSM-43924DUS

This device replaces former models:

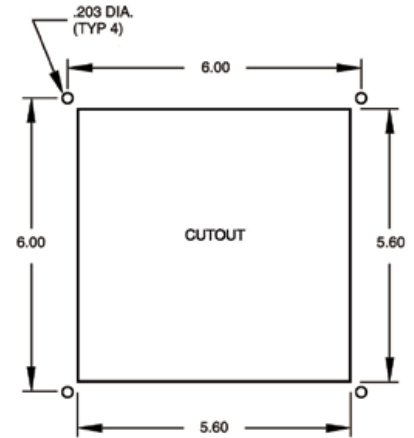
DSM-4388DUS, DSM-43820DUS,
DSM-43908DUS, DSM-43916DUS, DSM-43920DUS

DSM-4689DUS MODEL

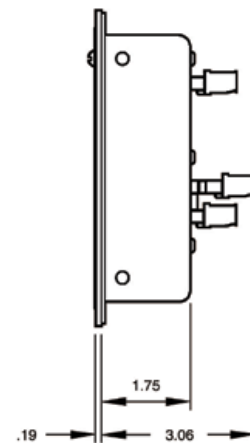
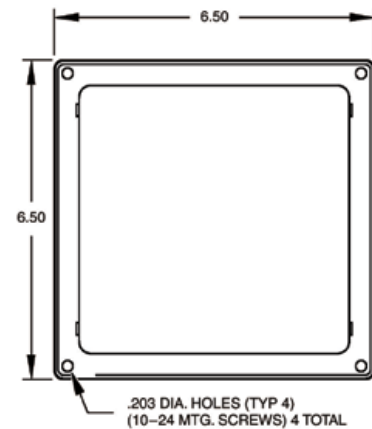
8-point Analog Signal Monitor
with RPM, Overspeed and Hours
See Form DSM4689



Dimensions



RECESSED MOUNTING



ALTRONIC

A Member of the HOERBIGER Group

712 Trumbull Avenue / Girard, Ohio 44420
(330) 545-9768 / Fax: (330) 545-3231

www.altronic-llc.com / Email: sales@altronic-llc.com

Form DSM43924 11-24 ©2024 Altronic, LLC

