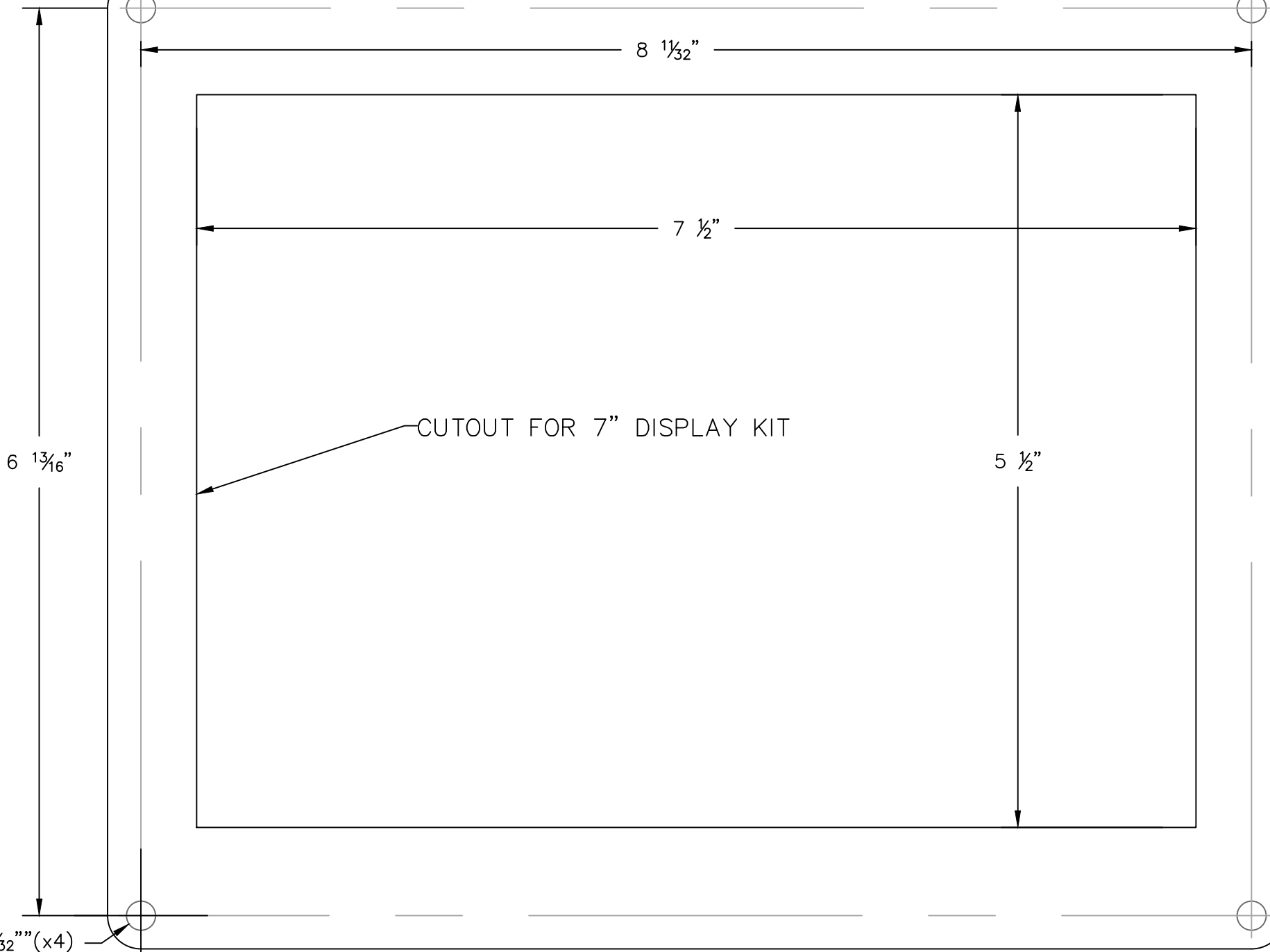


THIS DRAWING IS THE PROPERTY OF ALTRONIC CONTROLS, INC. AND SHALL NOT BE REPRODUCED, USED, OR DISCLOSED TO ANYONE WITHOUT PRIOR WRITTEN PERMISSION



REVISIONS

NO.	DATE	BY	DESCRIPTION
0	10/23/2025	RW	INITIAL DESIGN

# ALTRONIC

330-545-9768  
WWW.ALTRONIC-LLC.COM

DRAWING PAGE 1 OF 1		SCALE 1:1		DRAWING NUMBER 620024-T	
DRAWN BY		CHECKED BY		DATE	

INSTALLATION TEMPLATE  
For 7" ACM-4000 HDMI Display Assembly  
Reference 1021-0225-00 / Altronic # 620024