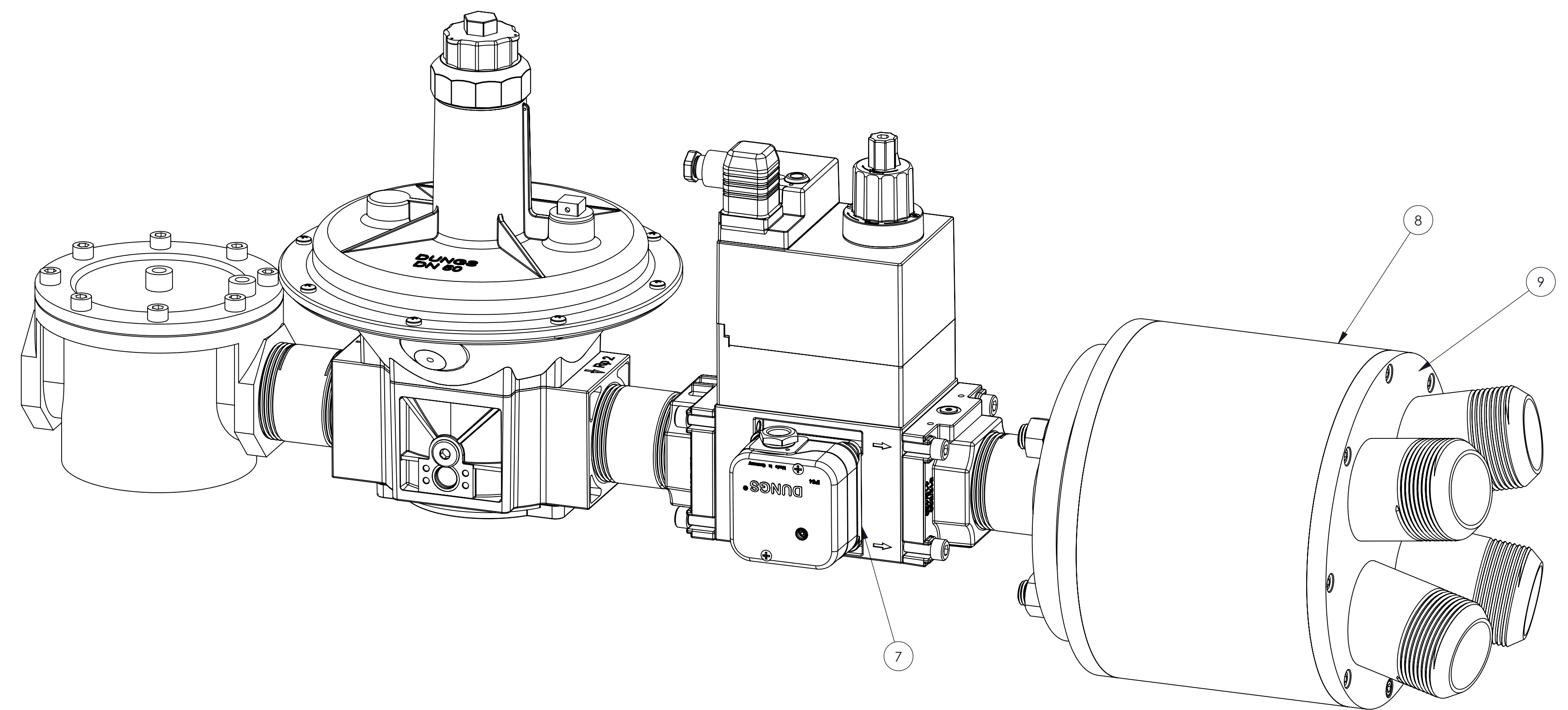
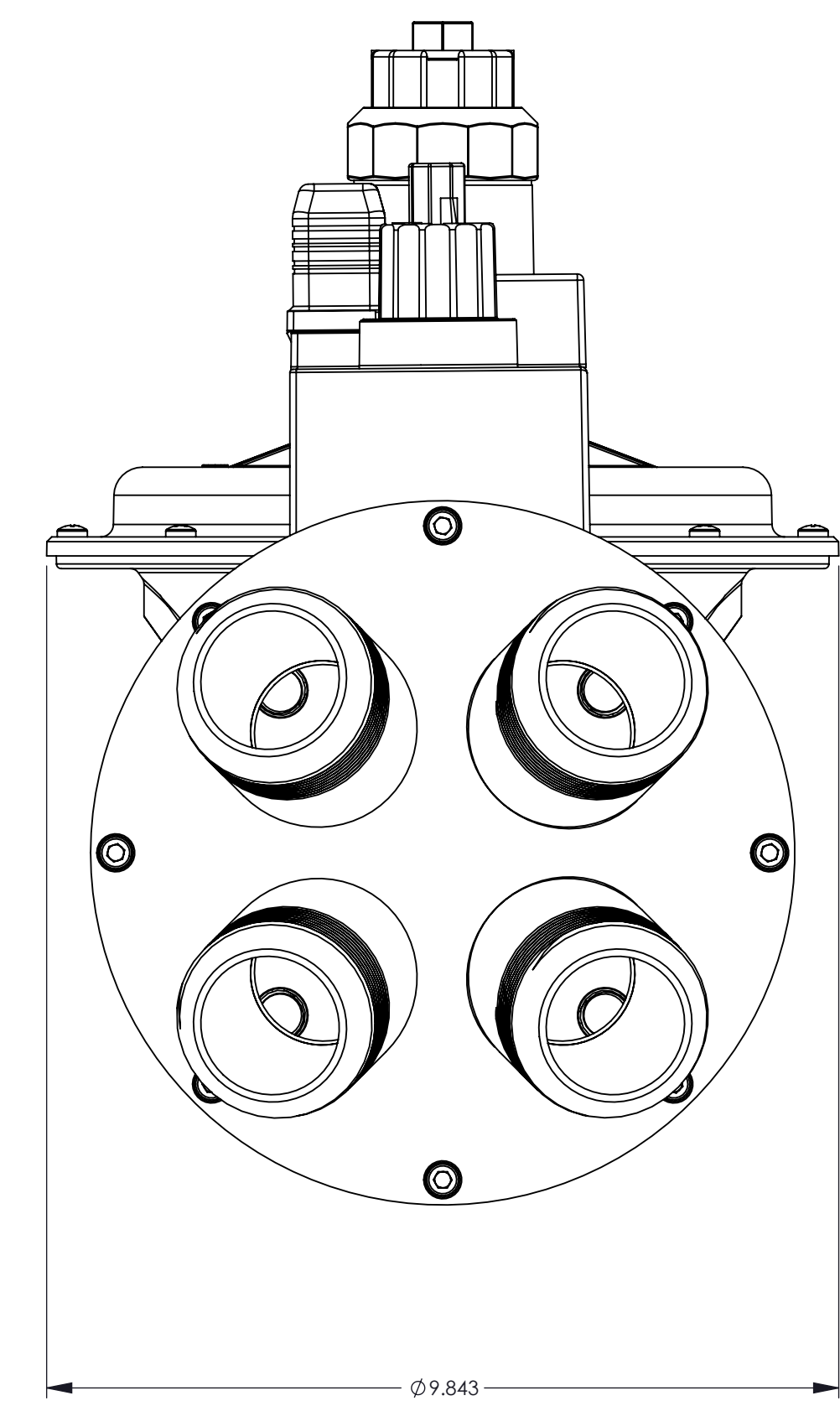
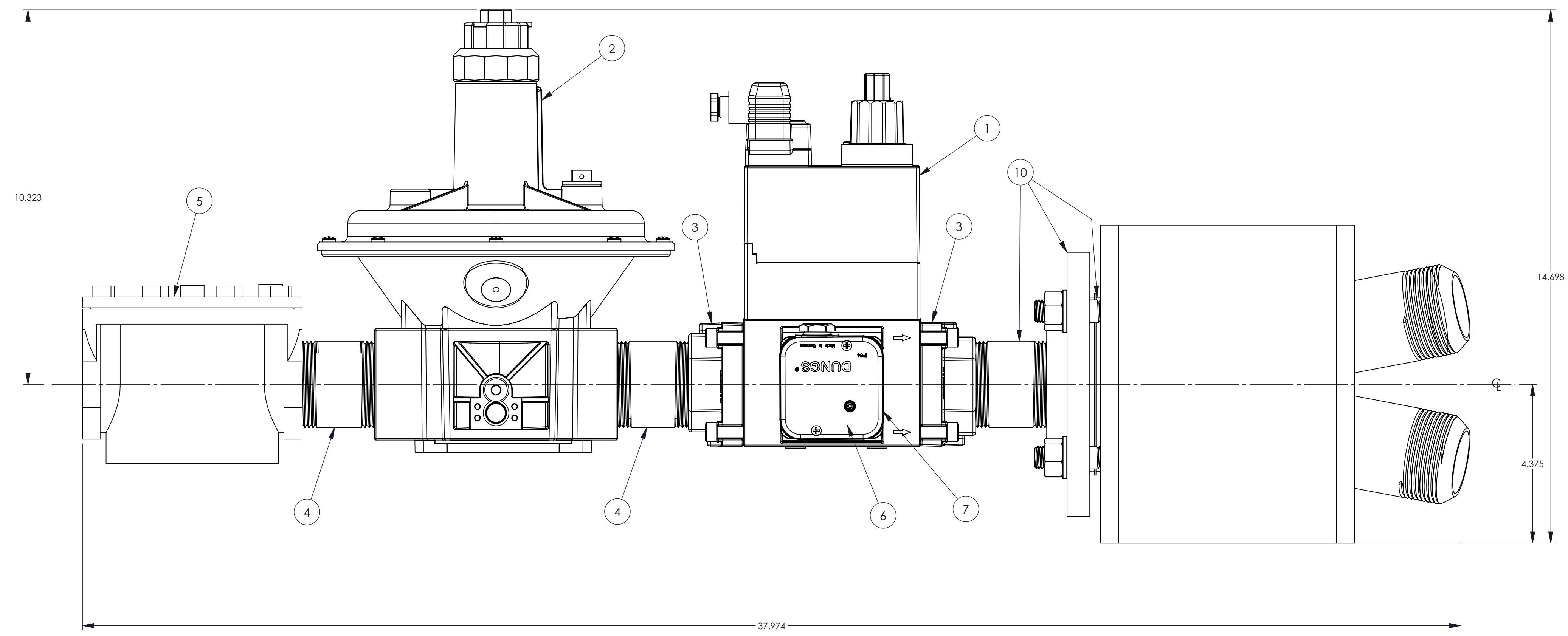


IT	DESCRIPTION	DWG NO.	1
1	SOLENOID VALVE	GSV004	1
2	ZERO PRESSURE REGULATOR	GGR005	1
3	2" X 2" NPT FLANGE ADAPTER	G11003	2
4	2" NIPPLE NPT	G11055	3
5	GAS FILTER	GFL005	1
6	REGULATED OUTPUT PRESSURE SWITCH	G11012	1
7	REGULATED OUTPUT PRESSURE SWITCH ADAPTER	G11013	1
8	9" PLENUM BODY	GPV0009-KT	1
9	2" FOUR PORT OUTLET PLATE	G9420	1
10	DN50 END CAP KIT	G90050	1

NOTE: ITEMS 1-7 MAKE UP GGT0050-B
ITEMS 8-10 MAKE UP PLENUM ASSEMBLY



REVISIONS				TOLERANCES (EXCEPT AS NOTED)		Altronic		Drawn in Solidworks
REV	DATE	BY	DESCRIPTION	DECIMAL:	TITLE		DRAWING NUMBER	
				.xxx = ±.005 .xx = ±.010	GGT0050B WITH PLENUM ASSEMBLY, 4 OUTLET		SK2165	
				SCALE:	DRAWN BY	DATE		
				1:2	NML	10-7-15		
					CHECKED BY	DATE		
					APPROVED BY	DATE		

SK2165